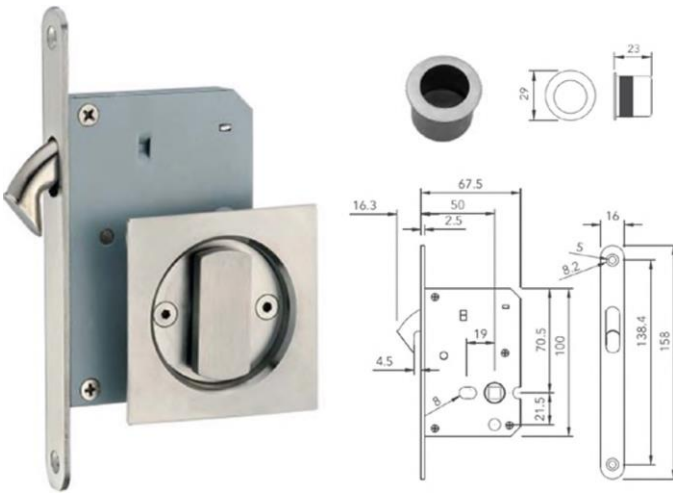




TECHNICAL SPECIFICATION

LOCKS AND LATCHES



Locks and Latches

Mortise small case hook Lock for sliding doors with 50mm Backset with closed case prepared for 8mm follower and standard fittings

Product Code
LIM453

Backsets available
Standard 50mm

Specification
Mortise small case hook lock prepared for 8mm square follower
Stainless steel SS304 grade hook bolt
SS304 grade strike plate with dust box
16mm wide SS304 grade forend with round corners
Non-handed design supplied with door edge pull for pocket sliding doors
Supplied with suitable screws and fixings

Options Available
Kit 1 – 127mm x 45mm x 8mm
Kit 2 – 127mm x 45mm x 8mm
Kit 3 – Dia 52mm x 10mm
Kit 4 – 60mm x 60mm x 10mm

Finishes
SSS - Satin stainless steel
PSS - Polished stainless steel
PVDB - PVD Black
PVDG - PVD Gold

*Special finish available upon request subject to minimum order quantity

